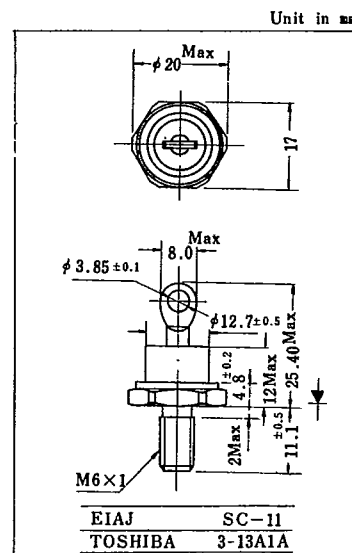


30JG11

600V 30A

MAXIMUM RATINGS

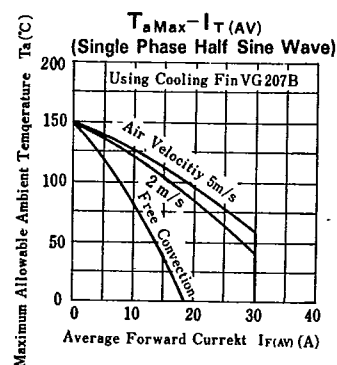
CHARACTERISTIC	SYMBOL	RATING	UNIT
Repetitive Peak Reverse Voltage	30BG11	100	V
	30DG11	200	
	30FG11	300	
	30GG11	400	
	30JG11	600	
Average Forward Current	$I_{F(AV)}$	30	A
Peak One Cycle Surge Forward Current (Non-Repetitive)	I_{FSM}	300(50Hz)	A
Junction Temperature	T_j	-40~150	°C
Storage Temperature Range	T_{stg}	-40~150	°C
Stud Torque		30	kgcm



AC34 is furnished as an accessory.

ELECTRICAL CHARACTERISTICS

CHARACTERISTIC	SYMBOL	CONDITION	MIN.	TYP.	MAX.	UNIT
Peak Forward Voltage	V_{FM}	$I_{FM}=100A, T_a=25^\circ C$	--	--	1.5	V
Repetitive Peak Reverse Current	I_{RRM}	$V_{RRM} = \text{Rated}, T_j = 100^\circ C$	--	--	20.0	mA
Reverse Recovery Time	$t_{rr(1)}$	$I_F=1.0A, V_R=30V, T_j=25^\circ C$	--	--	200	ns
	$t_{rr(2)}$	$I_F=40A, \frac{di}{dt}=25A/\mu s, T_a=25^\circ C$	--	--	800	
Reverse Recovery Current	$I_{rr(1)}$	$I_F=1.0A, V_R=30V, T_a=25^\circ C$	--	--	3	A
	$I_{rr(2)}$	$I_F=40A, \frac{di}{dt}=25A/\mu s, T_a=25^\circ C$	--	--	25	
Forward Recovery Time	t_{fr}	$I_F=1.0A, T_a=25^\circ C$	--	--	800	ns



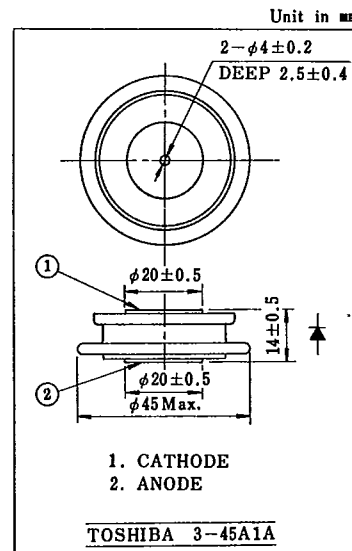
100JH21

600V 100A

MAXIMUM RATINGS

CHARACTERISTIC	SYMBOL	RATING	UNIT
Repetitive Peak Reverse Voltage	V_{RRM}	600	V
Peak One Cycle Surge Forward Current (Non-Repetitive < 5ms) $T_j=0\sim 125^\circ C$	V_{RSM}	660	V
Peak One Cycle Surge Forward Current (Non-Repetitive)	$I_{F(AV)}$	100	A
Peak One Cycle Surge Forward Current (Non-Repetitive)	I_{FSM}	2200(60Hz)	A
		2000(50Hz)	
Junction Temperature	T_j	-40~125	°C
Storage Temperature Range	T_{stg}	-40~125	°C
Mounting Force Required*		400~600	kg

* Recommended value : 500±50kg



ELECTRICAL CHARACTERISTICS

CHARACTERISTIC	SYMBOL	CONDITION	MIN.	TYP.	MAX.	UNIT
Peak Forward Voltage	V_{FM}	$I_{FM}=320A, T_c=25^\circ C$	--	--	1.40	V
Repetitive Peak Reverse Current	I_{RRM}	$V_{RRM}=600V, T_j=125^\circ C$	--	--	20	mA
Reverse Recovery Time	t_{rr}	$I_F=100A, \frac{di}{dt}=-50A/\mu s$	$T_j=25^\circ C$	--	1.0	μs
			$T_j=125^\circ C$	--	2.0	
Thermal Resistance *	$R_{th(j-f)}$	DC	--	--	0.2	°C/W

* Junction to Fin

